



Maximum lift capacity: 35 t at 1.200 mm load center

Maximum lifting height: 11,72 m

Maximum reach: 6,86 m

Mercedes engine: 240 KW - 320 HP

Electronically controlled hydrostatic transmission



HTH35.12

Full visibility cab MAGNI patented design



Pressurized cab ISO 10.263

Standard air conditioning and heating

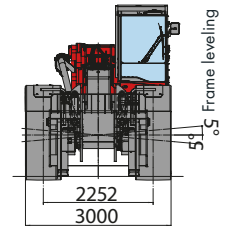
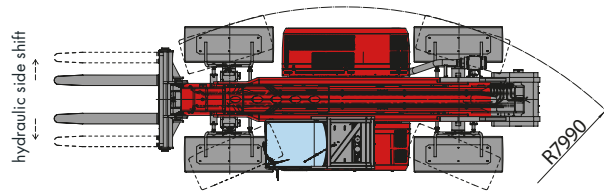
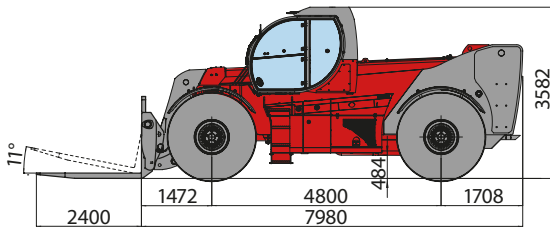
Touch screen display with joystick control system



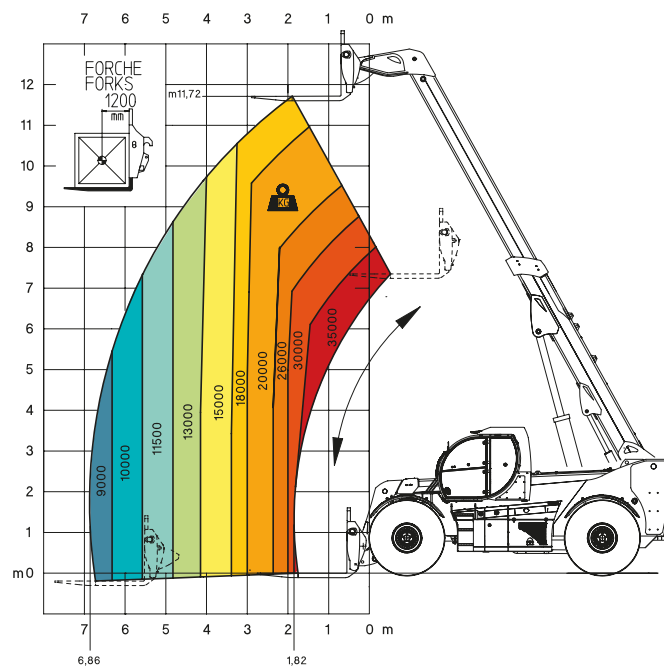
From the left:

- Travelling mode screen
- Load Moment Indicator screen
- Air conditioning management screen

HTH35.12



Load chart forklift with forks positioner



Clamp for wheels handling, with a capacity up to 16.000 kg from 24 to 63 inches .

- MAGNI patented quick fit of the attachment
- Attachments automatic recognition RFID system



LIFT CAPACITY	35.000 Kg at 1.200 mm load center	
MAXIMUM LIFTING HEIGHT	11,72 m	
MAXIMUM REACH	6,86 m	
FORKS	Fork carriage with forks positioner device 2.000 mm width	
	Forks 320x115x2.400 mm	
CAB	FOPS-ROPS tested hermetic cab with protectors	
	Front, rear and upper wiper	
	Headlights for road circulation, flashing beacon	
	Rear view mirrors	
	Heating - Air conditioning	
CONTROLS	Multi-function electro proportional joystick	
BRAKE SYSTEM	Hydraulic servo-assisted multidisc brake in oil bath on both axles, with double circuit	
	Negative parking brake	
ENGINE	Mercedes OM 926 LA Euro 4 Interim	Mercedes OM 926 LA Euro 3A
	Turbo intercooler	Turbo intercooler
	6 cylinders / 7.200 cm ³	6 cylinders / 7.200 cm ³
	Power 320 HP – 240 KW	Power 320 HP – 240 KW
	Max rpm = 2.200	Max rpm = 2.200
	Max torque 1.300 Nm at 1.200 rpm	Max torque 1.300 Nm at 1.300 rpm
	Electronic injection (single pump each injector)	Electronic injection (single pump each injector)
	Liquid cooling system	Liquid + intercooler cooling system
AXLES	Heavy Duty with 2-stage epicyclic reduction	
	Two steering cylinders each axle	
	Levelling correction front axle at + 5° on the right and + 5° on the left	
	3 types of steering: - with front steering - with round steer - with crab steering	
	Tilting rear axle	
PERFORMANCE	Max. travel speed: 25 km/h	
	Drawbar pull: 365 kN	
	Gradeability: 50%	
	Turning radius (end of forks): 9.230 mm	
WEIGHTS	Total unladen: 45.000 kg	
	Front axle unladen (boom retracted and lowered): 18.900 kg	
	Rear axle unladen (boom retracted and lowered): 26.100 kg	
TRANSMISSION	Rexroth hydrostatics	
	Variable displacement hydrostatic pump 175 cc with electronic control	
	Two variable displacement hydrostatic motors	
	Fully automatic shifting gearbox with 3 speeds forward/reverse	
	Automatic disconnection of rear axle	
HYDRAULIC CIRCUIT	Load sensing piston pump 95 cc 210 l/min	
	Circuit at 350 bar	
	Rexroth Proportional hydraulic distributor	
	Suction and return line filters	
	High pressure flexible hoses	
TANKS CAPACITIES	Engine oil = 29 l	Engine oil = 29 l
	Ad Blue = 40 l	
	Cooling liquid = 25 l	Cooling liquid = 25 l
	Hydraulic oil tank = 300 l	Hydraulic oil tank = 300 l
	Fuel tank = 300 l	Fuel tank = 300 l
TYRES DIMENSIONS	29,5 - R25 ** two each axle, driving and steering	
SAFETY	Electronic safety system which controls the load with definition of the lifted load, radius and comparison with the diagrams stored.	
	Block of aggravating movements of the load.	
	Safety valves on cylinders	

The data in this brochure are informative and subject to change without notice